



Utility Cart and Dri-Cab

Assembly, Operating, and Maintenance Instructions



(Dri-Cab Shown)

| | Pg # |
|---|------|
| • Utility Cart Assembly | 2 |
| • Dri-Cab Assembly | 3-5 |
| • Safety, Operation, and Maintenance | 6 |
| • Warranty | 7 |

Vastex International, Inc.
 1032 N. Irving St.
 Allentown, Pa. 18109 USA
 Phone# 610 434-6004 Fax# 610 434-6607
 Web Site www.vastex.com

Authorized Representative in Europe:
 Certification Experts BV
 Nieuwstad 100 1381 CE Weesp,
 The Netherlands
 Tel : + 31 (0) 294 – 48 33 55
 Fax : + 31 (0) 294 – 41 46 87

Electrical Drawing #: _____ Rev: _____

Serial Number: VTX _____ Date: ___/___/___

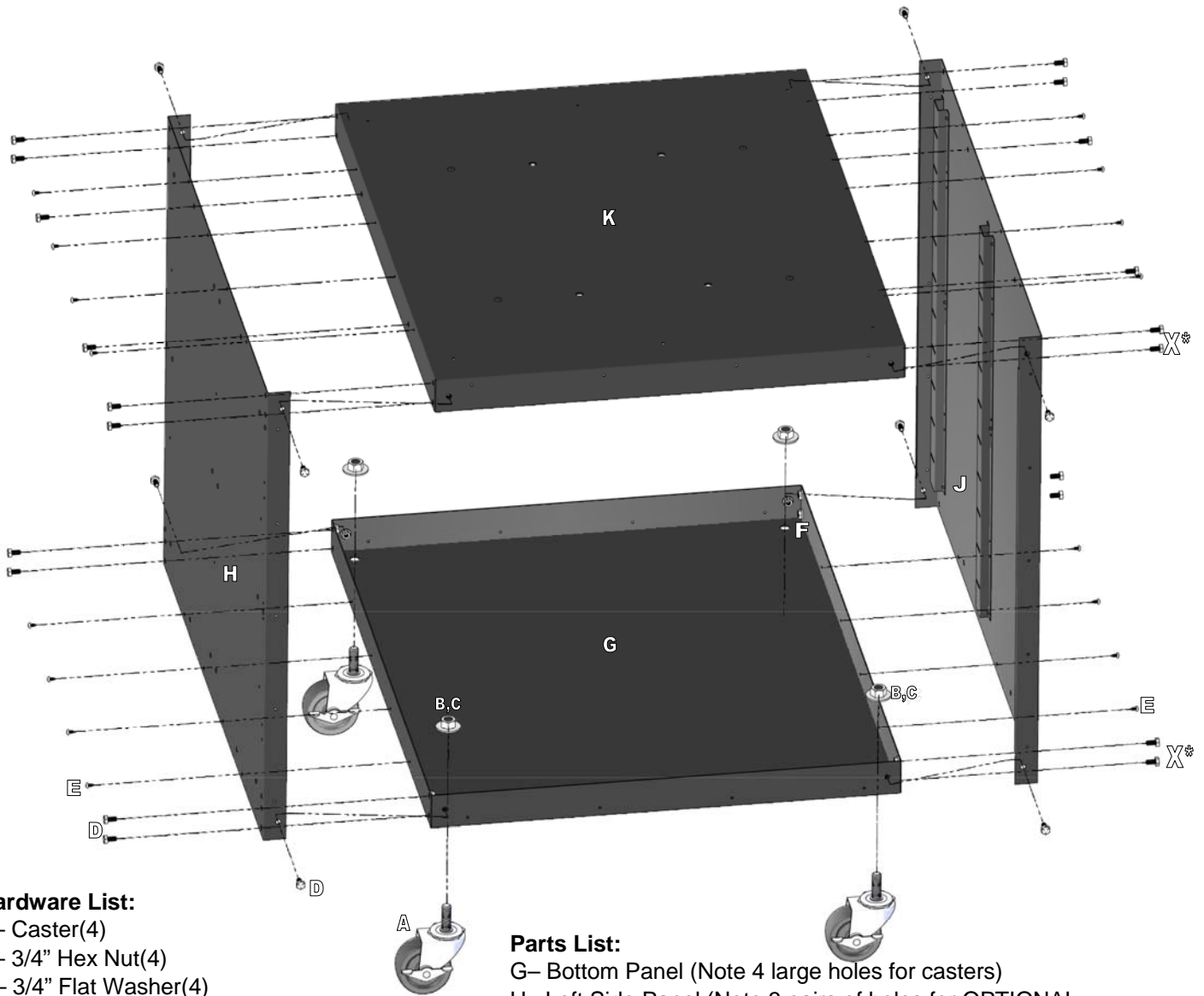
(Please log your machine's serial number and date of purchase for future reference.)

Vastex E-mail assistance

Purchasing & Product Info:
sales@vastex.com
 Electrical Support:
stech@vastex.com
 Tech Support, Mechanical Setup, and Operation:
techsupport@vastex.com
 Screen Printing Issues & Support:
printech@vastex.com

Assembly

Tools Needed: (1) Philips Head Screwdriver, (2) 7/16" open end wrench or socket,
(1) Adjustable wrench or 3/4" Open end/Socket Wrench



Hardware List:

- A- Caster(4)
- B- 3/4" Hex Nut(4)
- C- 3/4" Flat Washer(4)
- D- 1/4-20 x 1/2" Hex Bolt(28)
- E- #8x3/8" Phillips Sht Metal Screw(16)
- F- 1/4-20 Serrated Nuts(28)

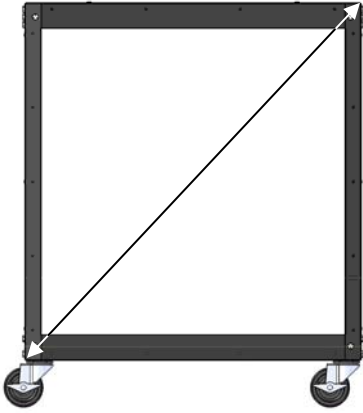
Parts List:

- G- Bottom Panel (Note 4 large holes for casters)
- H- Left Side Panel (Note 3 pairs of holes for OPTIONAL Dri-Cab Hinge)
- J- Right Side Panel
- K- Top Panel (Note 2 Braces running side to side)

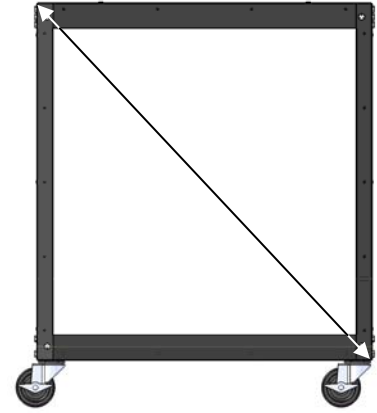
Procedure

- 1) Install all 4 Casters(A) onto bottom Panel(G). Tighten nuts well with adjustable wrench or 3/4" Socket.
- 2) Install all other hardware (refer to diagram above) Leave hardware loose for now.
- 3) *For DRI-CAB Assembly, do not install (4) 1/4-20 x 1/2" Hex bolts (X) yet, save for hinge install.

Assembly (Cont'd)



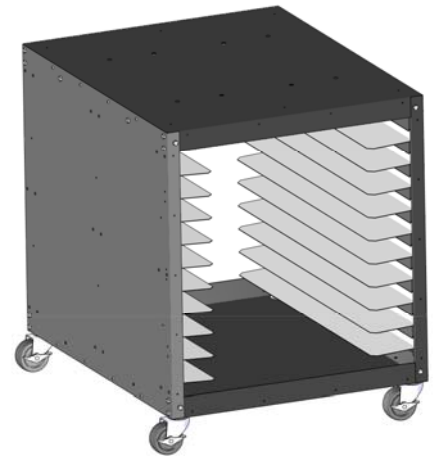
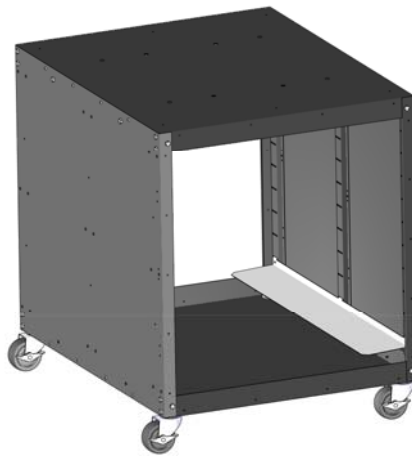
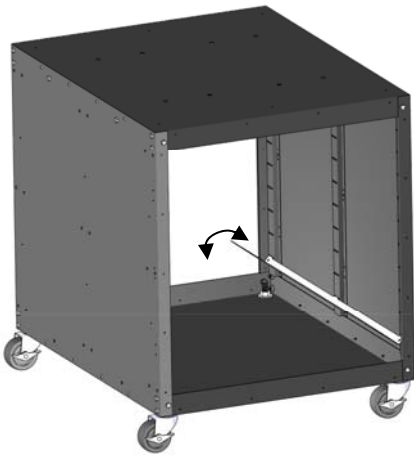
4) Make sure Utility Cart is square by making these two dimensions equal. Use a tape measure or ruler to verify.



5) Tighten all Installed hardware.

- Use 7/16 wrenches or sockets to tighten 1/4-20 Hardware.
- Use a Phillips head screwdriver for Sheet metal screws

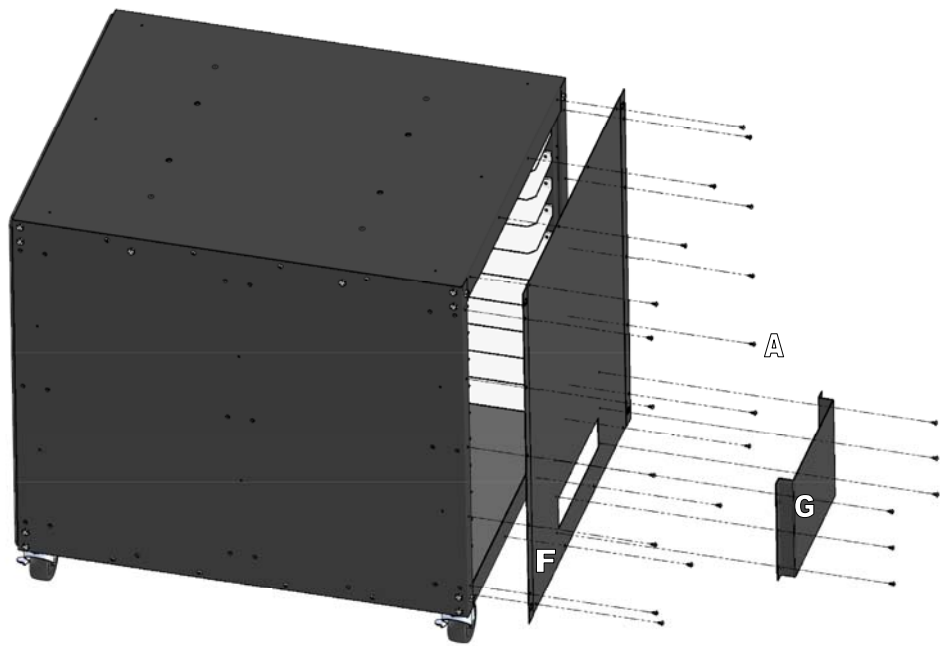
6) Install Screen Shelves as shown below, start from bottom



5) Utility Cart Assembly Finished.

Please continue for Dri-Cab Assembly

Dri-Cab Assembly



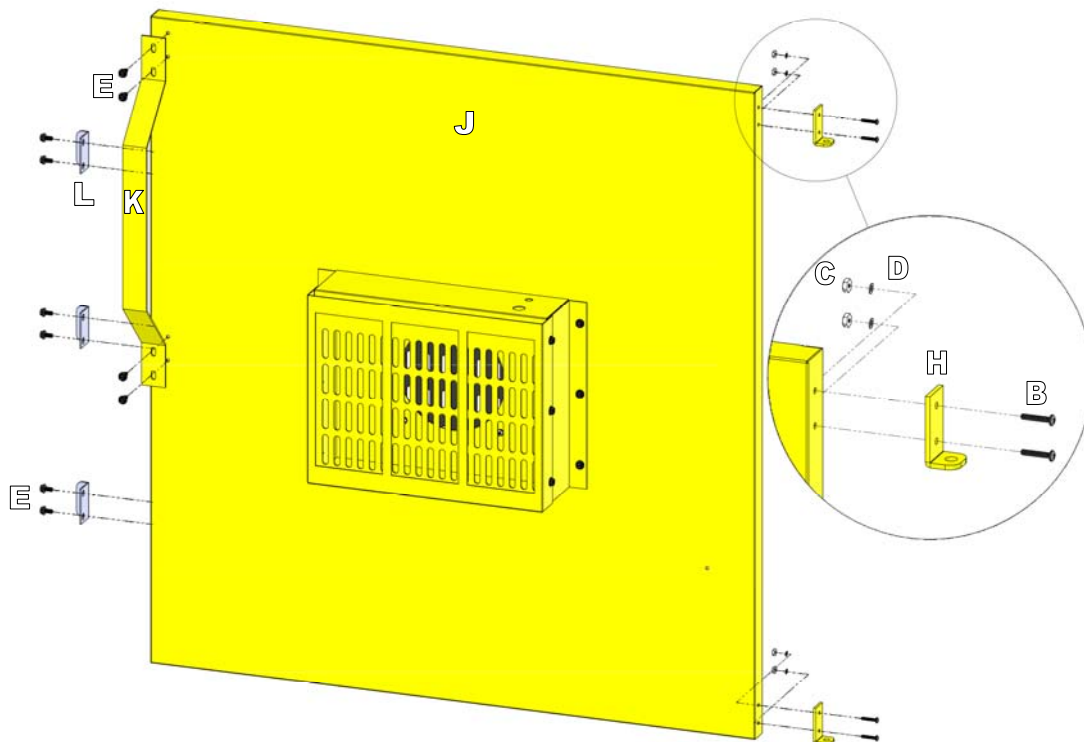
Hardware List:

- A- #8x3/8" Phillips Sht Metal Screw(24)
- B- 4-40 x 5/8" Phillips Pan Head Bolt(4)
- C- 4-40 Hex Nut(4)
- D- #4 Lock Washer(4)
- E- #8 x 3/8" Sheet Metal Screw-Blunt tip(10)

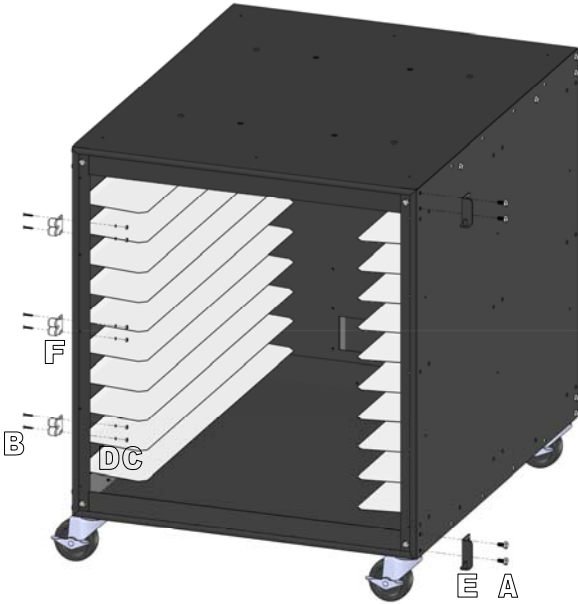
Parts List:

- F- Back Panel
- G- Diffuser
- H- Hinge Bracket- Door
- J- Door
- K- Deep Handle
- L- Door Latch

- 1) Install Back Panel, Diffuser, Hinge Brackets-door as shown using a Phillips Head Screw Driver.
- 2) Install Deep Handle using a 1/4" nut driver or Flat blade screw driver.
- 3) Install Door Latch pieces using a 1/4" nut driver or Flat blade screw driver. Leave these slightly loose until door is aligned to body.



Dri-Cab Assembly cont'd



4) Install Hinge Brackets using 1/4-20 bolts and Serrated nuts. Leave this slightly loose until door is aligned.

5) Install (3) Catches using #4 bolts, lock washers, and nuts. Leave this slightly loose until door is aligned.

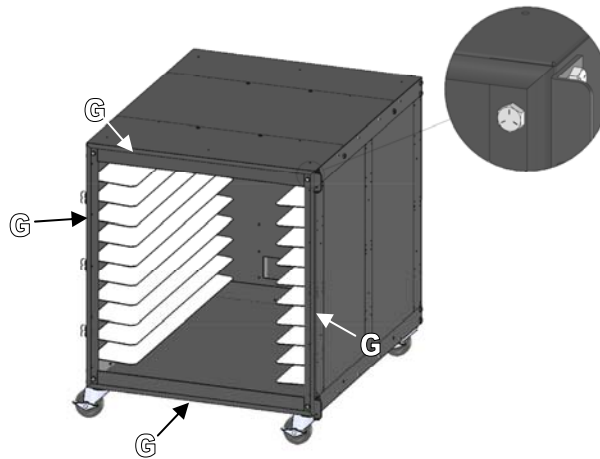
6) Install 4 pieces of rubber seal around front outside edge of cabinet. Overlap the seal in the corner and cut through both, on a 45, using a sharp knife, to create a sealing corner.

Hardware List:

- A- 1/4-20x1/2" Hex bolt(4)
- B- 4-40 x 5/8" Phillips Pan Head Bolt(6)
- C- 4-40 Hex Nut (6)
- D- #4 Lock Washer (6)

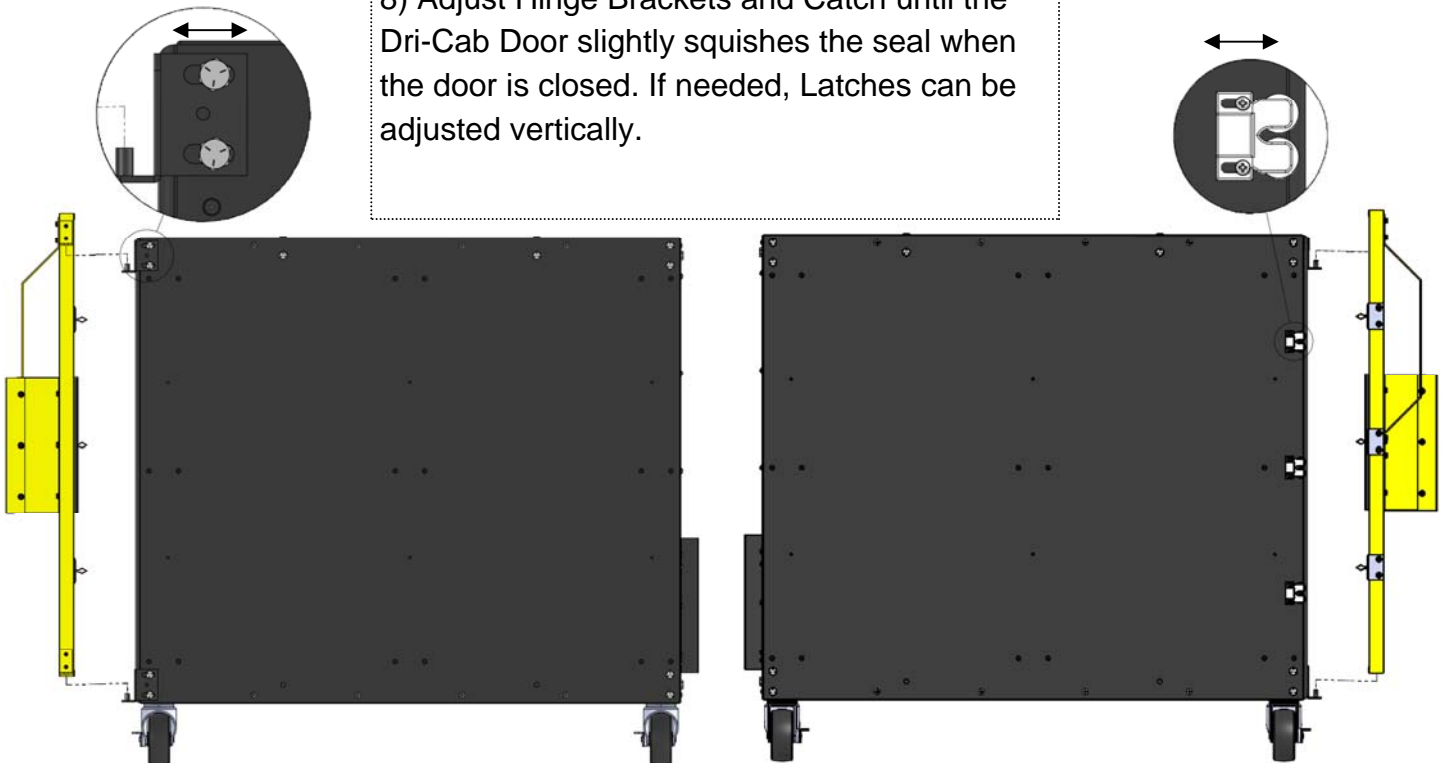
Parts List:

- E- Hinge Bracket (Body)
- F- Catch
- G- Seal



7) Hang Door on Hinge Brackets as shown.

8) Adjust Hinge Brackets and Catch until the Dri-Cab Door slightly squishes the seal when the door is closed. If needed, Latches can be adjusted vertically.



Safety Instructions

- The operator should read and understand the instruction manual before operating this equipment. Store instruction manual and safety instructions near equipment for easy access to operators.
- VASTEX Screen Drying Cabinet is intended for the drying of emulsion on screen printing screens. Do not use for any other purpose unless authorized by Vastex International, Inc. Use of this equipment for any other purpose can be dangerous and may cause damage to this equipment voiding the warranty.
- It is recommended that the area around this equipment be designated as a work area and only authorized employees are allowed in this area.
- Children and pets must be kept clear from the work area.
- Never leave equipment unattended.
- DO NOT operate dry cabinet with any cover or guard removed.
- Operator must be familiar with controls of the dryer.
- Before starting production, the operator must check that all covers and guards are in place, no material has been left in the cabinet, and the exhaust duct is clear of any obstructions.
- Always turn off power at the main disconnect at the end of production.
- Do Not remove any cover or guard until power at the main disconnect is switched off and locked out. No unauthorized persons are to be allowed inside the control boxes.
- Turn off and lock out power at the main disconnect before cleaning and maintenance.
- Only qualified technicians should be allowed to make repairs on the VASTEX Screen Drying Cabinet.
- **Noise and Vibration: This noise level produced by this equipment does not exceed 70 dB(A).**

Operation

- 1) Before using the dry cabinet, make sure the inside is thoroughly **clean** and **dust free**. Never operate with dirty or missing intake filter.



To prevent over curing the emulsion, which can cause premature exposure, screen temperature should not exceed 95°F (35°C).

- 2) Turn on the power switch, make sure fan is operating. Leave the unit on until the screens are dry. It will take approximately 40-60 minutes to dry a fully loaded cabinet of coated screens. The actual time will depend on the humidity level in your room. A dehumidifier is recommended for better screen development.
- 4) Once the screens are dry, turn off the power switch. The screens can be stored in the cabinet until needed.

Maintenance

- 1) Every week, the intake filter should be checked and cleaned as needed. A dirty filter reduces air flow thru the cabinet and will alter the drying process. The filter should be replaced as necessary. Filter material can be ordered through Vastex.
- 2) It is important that the inside of the dry cabinet is kept clean. Periodic cleaning of the inside of the cabinet is recommended.
- 3) Check the exhaust for debris and clogging. Any restriction in the exhaust will alter the drying process.

Vastex Warranty

Doc#01-00-005B Revised 04/10/12

(1.) Vastex, hereinafter referred to as "seller" warrants only to its original "purchaser", who holds a copy of the original invoice and is the original end user of the equipment in question, its new equipment against defects in materials or workmanship on a pro-rated basis. Warranty period begins from date of shipment to the buyer and will only apply to customers paid in full. Warranty periods are as follows: one (1) year for E-1000, three (3) years for all other complete machines (including F-Flash), fifteen (15) years for infrared heaters (excluding F-Flash) installed by Vastex in a new dryer, three (3) years for replacement infrared heaters, and one (1) year for replacement parts. Rubber blankets, light bulbs and glass on exposure units are particularly subject to wear while in use. Wear is not covered by this warranty but as stated above only manufacturers defects are covered. All sales made through Vastex dealers must be certified by that dealer before a warranty replacement is issued.

(2.) This warranty is expressly contingent upon the buyer delivering to seller, at the address below, with all transportation charges prepaid, the part or parts claimed to be defective within the above mentioned warranty periods stated in paragraph one. The defective part or parts will be repaired or replaced at the discretion of Vastex International, Inc. If the equipment in question is less than one (1) year old, it will be shipped to the customer at no charge, with an RGA issued by Vastex for the defective part. The defective part must be shipped back to Vastex freight prepaid within 30 days or the account will be billed. If the equipment is more than a year old, the part will be shipped after we receive the defective part. If it's necessary to expedite the movement of parts and to minimize down time to the buyer, the replacement part shall be supplied on a C.O.D. basis. If testing and analysis of said part by the seller or its supplier discloses that said part is defective, the cost of said part will be refunded to the buyer on a prorated basis.

(3.) Except as otherwise provided herein, the equipment is being sold "as-is". Final determination of the suitability of the equipment for the use contemplated by the buyer, is the sole responsibility of buyer, and seller shall have no responsibility in connection with the suitability.

(4.) All warranties implied by law, including the implied warranties of merchantability and fitness are hereby limited to workmanship and defective parts to a warranty period stated in paragraph one. The express warranty and remedies contained herein and such implied limited warranties are made solely to the sole warranties and remedies and are in lieu of all other warranties, guarantees, agreements, and other liabilities, whether express or implied, and all other remedies for breach of warranty or any other liability of seller, in no event shall seller be liable for consequential damages.

No person, agent, distributor, or service representative is authorized to change, modify or extend the terms hereof in any manner whatsoever.

These terms and conditions are an essential part of the transaction between the parties and constitute the entire agreement between them with respect to the same.

Some states do not allow limitation on how long an implied warranty lasts of the exclusion or limitation of incidental, or consequential damages, so the above limitation may not apply to you.

This warranty gives you specific legal rights, and you may also have other rights which vary from state to state.

Infrared heaters are the only replacement parts covered for a period of (3) years from date of shipment and contingent to receipt of payment in full.

Electrical components cannot be returned once installed unless proven defective.

Please refer to doc. 01-00-015 for specific terms and conditions of sale and the limited warranty.

Please refer to doc. 01-00-017 for V-2000HD printer warranty.

Updates: V1000 to 3 year warranty 01/09/12, Heater warranty to 15 years 01/02/2012.

TERMS AND CONDITIONS OF SALE AND LIMITED WARRANTY Doc.#01-00-015

1. Buyer's order will constitute an offer in accordance with the terms hereof and such offer, upon acknowledgment of Seller, will constitute the agreement between Buyer and Seller. Buyer's order after such acknowledgment by Seller will not be subject to cancellation, change or reduction in amount, or suspension by Buyer of deliveries, unless prior to such action Buyer has obtained Seller's written consent. Notwithstanding anything to the contrary in Buyer's Purchase Order or other communications, the parties agree to be bound by these Terms and Conditions. Acceptance of the product by the Buyer shall be deemed to constitute unconditional acceptance of these Terms and Conditions.
2. Any of these terms, conditions and provisions of Buyer's order which are inconsistent with Seller's acknowledgment and these Terms and Conditions of Sale shall not be binding on the Seller and shall be considered not applicable to any sale so made. No waiver, alteration or modification of any of the provisions on either side of the document shall be binding upon Seller unless agreed to in writing by Seller.
3. (a) All prices are F.O.B. Seller's Plant and method of delivery and routing shall be at Seller's discretion, unless specifically otherwise stated herein. Notwithstanding any agreement to pay freight, delivery of products purchased hereunder to a common carrier or licensed trucker shall constitute delivery to Buyer and be determinative of the date and time of shipment and all risk of loss or damage in transit shall be borne by Buyer. If the Buyer fails to accept the goods from the common carrier or licensed trucker, the Seller shall be entitled to claim payment from the Buyer. Seller shall arrange for storage, the risk and the cost, including insurance costs, to be borne by the Buyer (and Buyer agrees to pay such amounts upon demand) except if the failure to accept delivery is due to any of the exceptions noted in Paragraph 4.
(b) Terms of payment shall be as stated on invoice.
4. It is understood that deliveries will be made in accordance with Seller's regular production schedule. Every reasonable effort will be made to meet the Buyer's required delivery dates but Seller will not be liable for damages or be deemed to be in default by reason of any failure to deliver or delay in delivery due to any preference, priority, allocation or allotment order issued by the Government, whether Federal, State or local, or causes beyond its control including but not limited to, Acts of God or a public enemy, acts of Government, fires, floods, epidemics, quarantine restrictions, strikes, lockouts, freight embargoes, severe weather, unavailability of materials or shipping space, delays of carriers or suppliers or delays of any subcontractors. Should delay in delivery be caused by any of the circumstances mentioned in this paragraph, such extension of the delivery period shall be granted as is reasonable under the circumstances of the case. Should delay be caused by an event not specifically mentioned in this paragraph, damages will be limited to cancellation of the purchase order without penalty, and refund of any monies deposited or prepaid on the purchase order with no liability for any consequential or incidental damages.
5. Seller reserves the right to increase the prices prior to Seller's acceptance of order and/or after expiration of any price quoted by Seller.