

V-2000HD



PREMIUM MANUAL SCREEN PRINTERS

NEW



V2HD-44
4 station, 4 color, rotary press
w/ Standard size 15" x 17"
(38 x 43 cm) steel pallets

as shown w/ optional service pan & wheels
VSP-WS

25 YEAR WARRANTY*

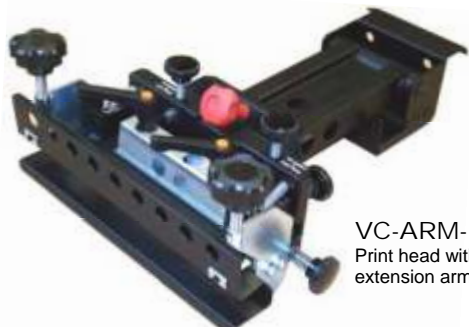
V-2000HD features

- RELIABLE 25 Year Warranty
- HEAVY DUTY *Never warp steel pallets with rubber tops and the new corner clamp pallet arm*
- USER FRIENDLY *Micro-registration with wrench free controls & zero backlash*
- ADJUSTABLE 6 way screen leveling
- PRECISE Holds accurate multicolor printing registration
- ACCURATE Embedded registration bearings (close to the screen, stays clear of spray tack)
- FLEXIBLE *Prints all heads down*
- SMART Gas lifters with 16 position variable lift strength
- STRONG 12" (30 cm) wide steel rear screen clamps joined by a steel clamp bar for off center clamping & 2.75" (6.9 cm) precision ground center shaft
- DURABLE 3" (7.6 cm) square steel rotor arm with ruler indicator
- INNOVATIVE Elevated Pallets—no need to stretch shirts over the arm (also compatible with quick stretch jacket attachment)
- EXCLUSIVE Zero backlash bearings on screen arm pivot
- CONVENIENT Adjustable micro clamp levers
- EXPANDABLE Upgrade at any time from 1 station 1 color tabletop to 10 station 10 color rotary floor press!

- ### Options
- Additional colour and station upgrade packages.
 - Fast numbering system attachment
 - Super heavy duty print arms
 - Pallets: leg, short leg, sleeve, short sleeve, mini, junior, oversize jumbo, all over, umbrella, vacuum pallet and custom sizes also available
 - Attachments: polo, pocket, above pocket, sweatshirt, cap, jacket
 - Side clamps: removable or fixed
 - Locking castors and levellers
 - Service pan (additional storage)



V2P-1517
V2 Pallet arm with standard 15 x 17 pallet.
Shown mounted on rotor arm



VC-ARM-HD
Print head with extension arm & hinge

Tabletop models available.

*25 year limited warranty. Gas springs and rubber pallet tops covered for 3 years.

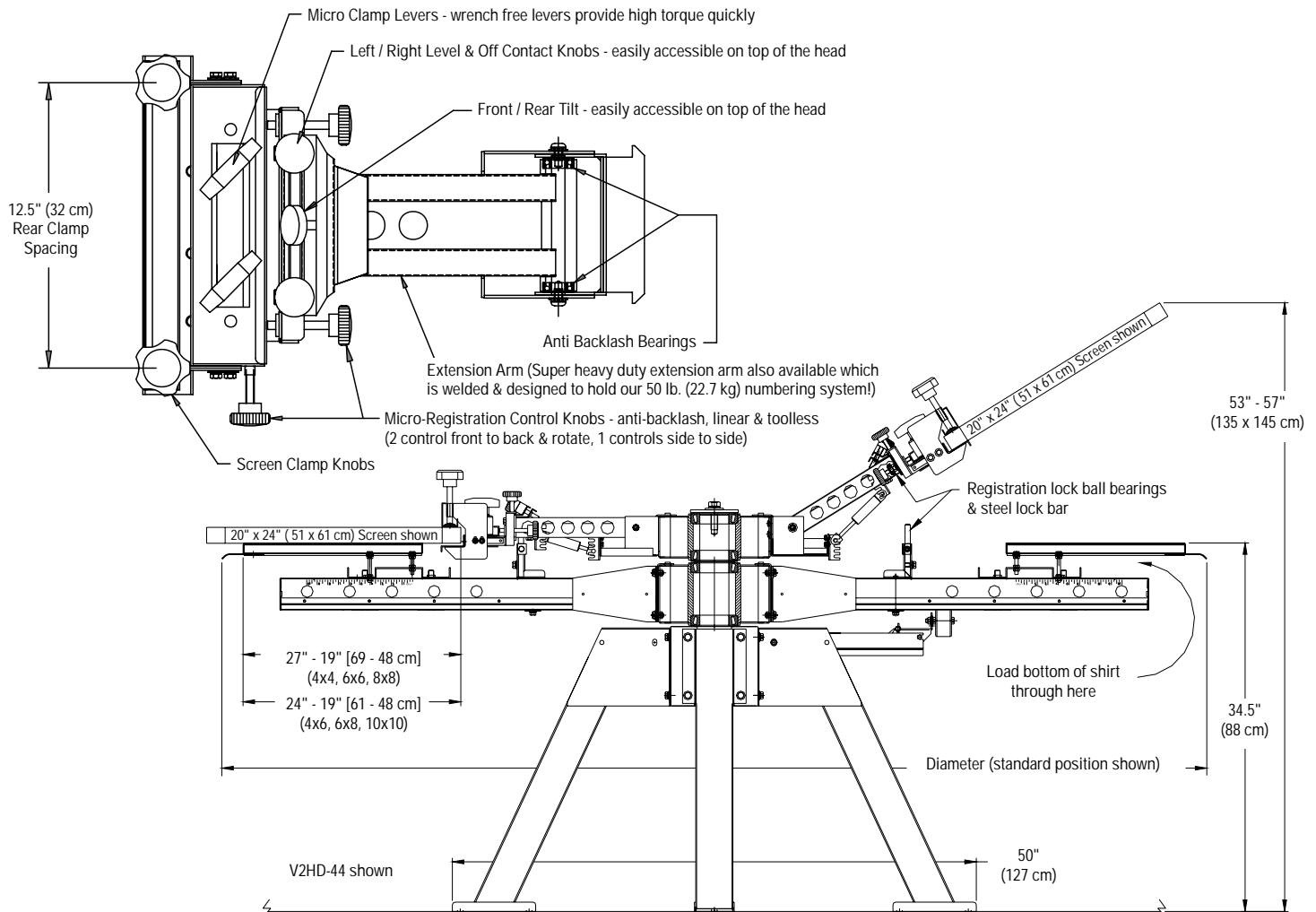


Tel: 0845 224 1204 Fax: 0845 224 1205

Email: info@dalesway.co.uk Web: www.dalesway.co.uk

International tel: +44 1282 841777

V-2000HD Series Manual Press Technical Specifications



	V2HD-44	V2HD-66	V2HD-88	V2HD-1010
Warranty*	25 Year	25 Year	25 Year	25 Year
Diameter - Standard	91" (231 cm)	99" (252 cm)	109" (277 cm)	131" (333 cm)
Diameter - Fully Extended	105" (267 cm)	111" (282 cm)	121" (307 cm)	137" (348 cm)
Maximum Screen Width	39" (99 cm)	27" (69 cm)	24" (61 cm)	25" (63.5 cm)
w/ optional side clamps	24" (61 cm)	24" (61 cm)	21" (53 cm)	21" (53 cm)
Maximum Screen Weight	14 lbs (6.4 kg)	14 lbs (6.4 kg)	14 lbs (6.4 kg)	14 lbs (6.4 kg)
w/ double gas springs	24 lbs (10.9 kg)	24 lbs (10.9 kg)	24 lbs (10.9 kg)	24 lbs (10.9 kg)
w/SHD arms & extra gas springs	50 lbs (22.7 kg)	50 lbs (22.7 kg)	50 lbs (22.7 kg)	50 lbs (22.7 kg)
Standard Pallet Size	15" x 17" (38 x 43 cm)	15" x 17" (38 x 43 cm)	15" x 17" (38 x 43 cm)	15" x 17" (38 x 43 cm)
Maximum Stock Pallet	20" x 24" (51 x 61 cm)	20" x 24" (51 x 61 cm)	20" x 24" (51 x 61 cm)	20" x 24" (51 x 61 cm)
Height: legs to pallet / w-wheels	34.5" (88 cm) / 38.5" (98 cm)	34.5" (88 cm) / 38.5" (98 cm)	34.5" (88 cm) / 38.5" (98 cm)	34.5" (88 cm) / 38.5" (98 cm)
Unit Weight	400 lbs (182 kg)	550 lbs (250 kg)	750 lbs (340 kg)	1,075 lbs (488 kg)
Shipping Weight**	500 lbs (227 kg)	650 lbs (295 kg)	875 lbs (397 kg)	1,388 lbs (630 kg)
Shipping Dimensions**	50" x 48" x 48" (127 x 122 x 122 cm)	50" x 48" x 48" (127 x 122 x 122 cm)	78" x 48" x 60" (198 x 122 x 152 cm)	68" x 66" x 55" (173 x 168 x 140 cm)
Fits Through Doorway	Yes - 30" (76 cm)	Yes - 33" (84 cm)	Yes - 33" (84 cm)	No - Requires a dock door
Expandable	To 6, 8 or 10 station / colour	To 8 or 10 station / colour	To 10 station / colour	No - Maximum

*25 year limited warranty. Gas springs and rubber pallet tops covered for 3 years.

Tel: 0845 224 1204 Fax: 0845 224 1205
Email: info@dalesway.co.uk Web: www.dalesway.co.uk